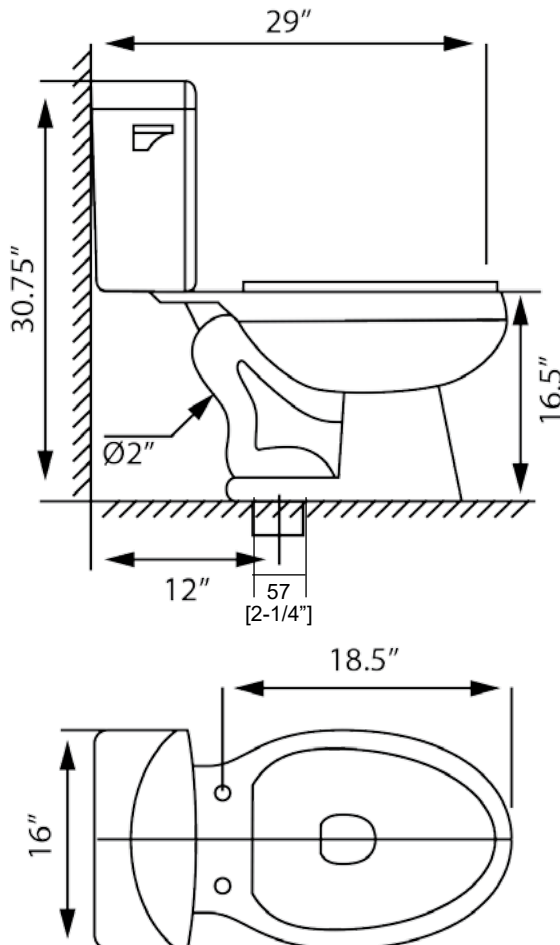




# DSW-2EL29W

UPC: 813649025569



### Style:

- Two Piece Toilet
- Lever Flush

### Materials:

- Porcelain

### Features:

- 1.28 gpf
- Comfort Height
- Elongated Bowl
- 3" Glazed Waste Trap
- 12" Rough In
- Soft-Close Seat Included
- Wax Ring And Bolts Included

### Drain Info:

- 2.25" trapway
- Wax ring adapts to standard 3" waste line

### Certifications:

- cUPC

### Warranty:

- 5 Year Limited Warranty



### Available Color/Finish

-  White

### Models Available:

- DSW-2EL29W